

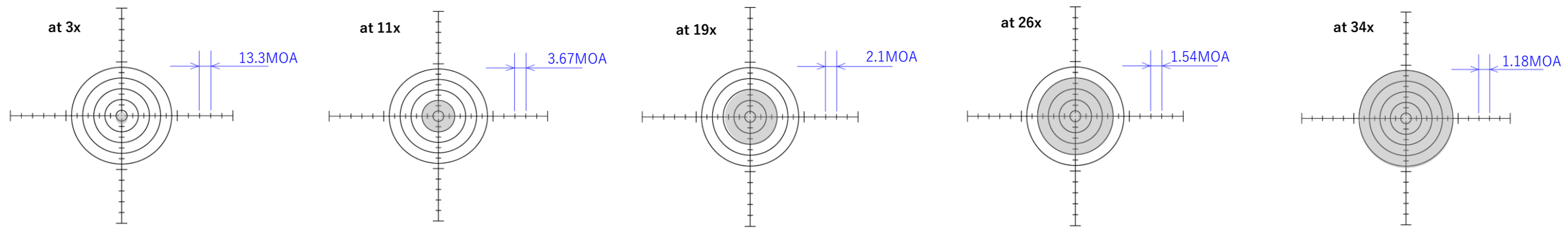
【 MTR-RTM reticle 】 Target size according to the magnification



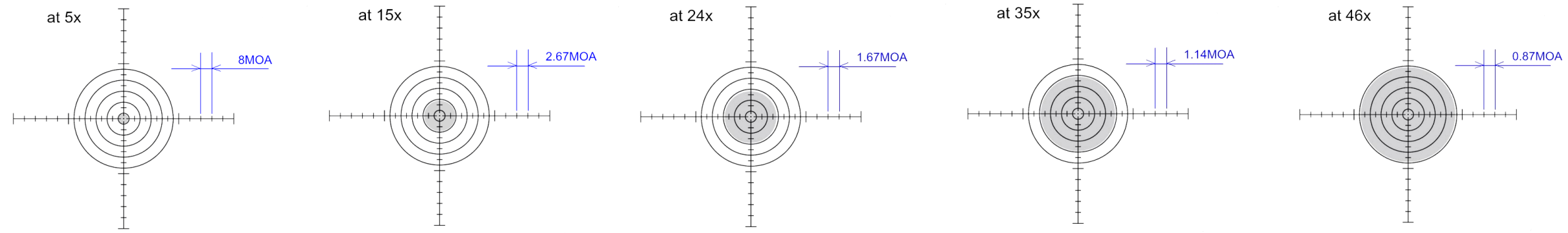
When you change the magnification of the scope, only the target size will increase and decrease its size. Cross lines and the center dot can be illuminated. The grey part in the images below are the black target in each shooting category. Size of the black target is calculated based on each shooting category. The aim of the MTR-RTM reticle is to create a gap between the reticle and the target at your preference. In some countries where different regulations are adopted, please see the images below as a reference. This reticle can be assembled in 1-10x24/1.5-15x42/2.5-25x42,52/5-50x56/10-60x56/8-80x56 SFP scopes, but please note that some outer circles in the MTR-RTM reticle cannot be used with lower magnification scopes.

ISSF : <https://www.issf-sports.org/getfile.aspx?mod=docf&pane=1&inst=458&file=1.%20ISSF%20General%20Technical%20Rules.pdf>
 F class : ICFRA https://e1e1515b-f062-426d-8b3c-6c508be9b8a2.filesusr.com/ugd/d54b0a_ce5f1a8a7d314d4e927c2d1d5236aae5.pdf

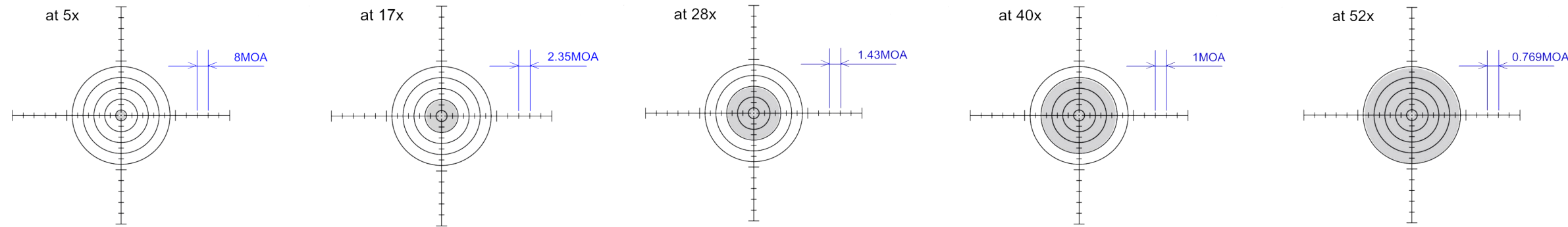
ISSF
10m



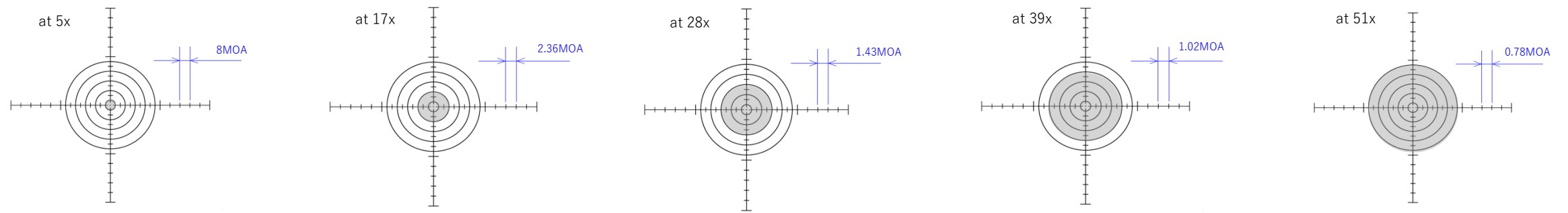
ISSF
50m



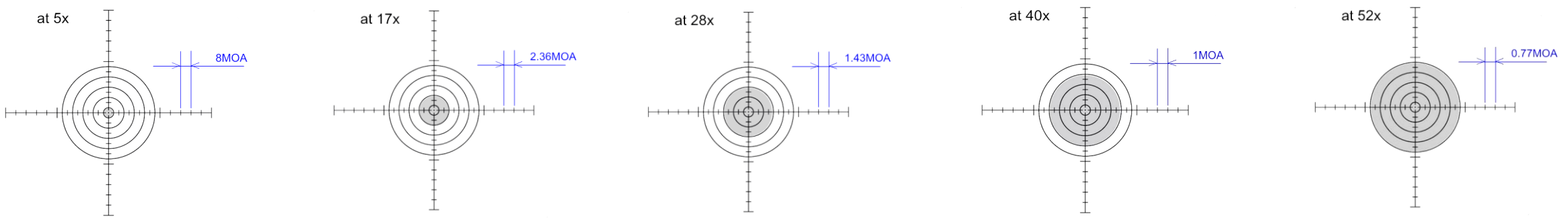
ISSF
300m



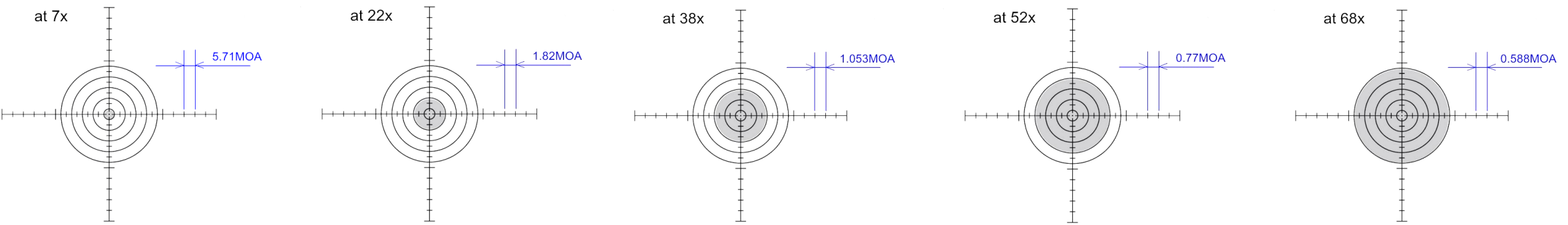
F
300
Yd



F
500
Yd



F
800
Yd



F
1000
Yd

